



*bsx & dax isolating exchange
door entry systems*



BSX (Bell System Exchange) and DAX Digital Isolating Door Entry Systems

The BSX and DAX door entry systems are designed to overcome a common problem experienced in local authority and public housing where door entry systems are subject to vandalism from visitors and tenants. These systems operate on the Line Isolation principle which has two advantages over common-wired systems:

- Any malicious damage sustained to an individual telephone or its associated cable will not affect the operation of the rest of the system.
- The telephone conversation between the tenant and the caller is totally private.

Each system includes Tradesmen/Service entry, a fire-switch input, battery standby facility and timed fail secure and fail safe lock outputs as standard. The central exchange unit with diagnostic LED's simplifies maintenance and any part is easily exchanged with readily available spares.

bsx isolating exchange door entry systems



Model LCP8



BSX8 Cabinet



Model BS-LX

The BSX control unit

The BSX control equipment is housed in a secure lockable steel IP55 rated cabinet and can include the following:

- Isolating fused PCB removable connectors for the telephones.
- A model TS2000-BST 7 day quartz reserve time clock for trades access.
- Regulated PSU with isolation switch.
- A control PCB for each entrance providing timed outputs for door releases (failsafe and fail secure), output tones and inputs for fire switches and trades buttons.
- A 12V 7A/H battery when battery standby is specified.
- Optional access control e.g. Proximity controllers.

Two BSX Control units are available; 8 station (BSX8)
16 station two door (BSX16)

Telephones

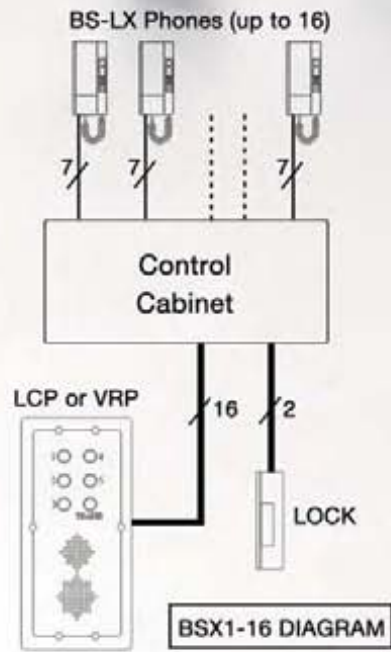
Any of our DC type telephones may be used with the BSX exchange. Each telephone connected to the BSX control will have 'privacy of speech' due to the line isolation. To achieve full 'line-isolation', the telephones must be individually cabled directly to the control unit. The standard model 801 telephones can be used for economy but the model BS-LX is highly recommended due to its added functions.

Front door panels

The model VRP and model LCP panels are recommended for use with the BSX system due to their resistance to vandalism.

Reassurance tone

A reassurance to the visitor that a call has been made and to indicate when the lock release has been operated.



Tradesmen facility

The facility for a time-restricted entry for tradesmen is included on the BSX control. The operation of the Trades push-button will only trigger the door release when the time clock within the BSX control is set to an ON period.

Fire services switch

A Fire Service switch can be used to permanently release the lock in the event of an emergency (a continuously rated type release or Maglock should be used).

Electric lock release

The BSX control provides two alternative outputs for lock releases; FAILSECURE or FAILSAFE (including magnetic locks).

dax isolating exchange door entry systems



Model DPX-LED

DAX32 Cabinet

Model BS-LX

The DAX digital system operates on the Line Isolation principle which has two advantages over common-wired systems;

- Any malicious damage sustained to an individual telephone or its associated cable will not affect the operation of the rest of the system.
- The telephone conversation between the tenant and the caller is totally private.

System features;

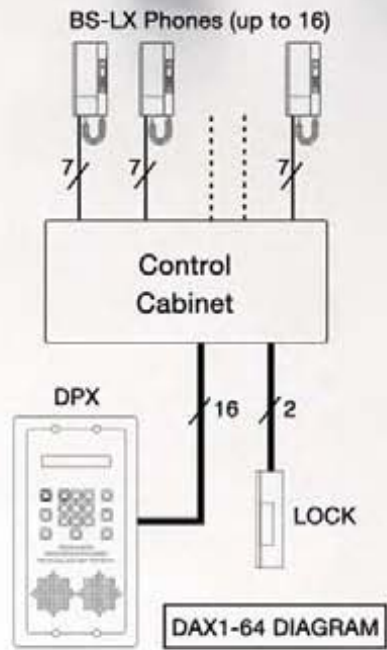
- up to 256 flats
- up to 4 entrances
- large LED dot matrix display
- 4 digit alpha-numeric flat numbers
- 4 digit coded access facility
- trades facility
- porter facility (optional)
- standby battery backup
- outputs for fail safe and fail secure releases

Model DAX exchange control

All the control equipment is installed in one or more IP55 rated secure lockable steel cabinets. Each control contains one or more of the following components;

- All necessary control equipment
- 8 way Relay PCB's for connection of telephones
- Model TS2000-BST 7 day quartz reserve Time Clock for trades access
- 12v DC 5A power supply with standby facility
- optional 12v 7A/H lead-acid battery

The control has LED diagnostics and Test modes for commissioning and maintenance purposes



Model DPX-LED Front Door Panel

The front-plate consists of an overlapping bezel and a removable plate cut by a laser from the same sheet of 2.5 mm 316 marine grade stainless steel. This leaves a gap of just 0.2 mm rejecting implements that could be used to force the panel from its box.

The bezel is securely welded to a back-box of 1.5 mm 316 grade stainless steel. This provides an extremely strong fixing to the wall. The removable plate is fixed to the bezel and back box with countersunk A2 stainless steel security bolts requiring the use of a specialist tool for their removal (supplied).

The LED dot matrix display module offers excellent visibility with large red characters. A transparent LEXAN window gives maximum protection from vandals. Stainless steel vandal resistant push-buttons are used throughout. Clear operating instructions are engraved on the panel in black.

Options can include cutouts for a Video camera and Proximity.

Telephones

Any of our DC type telephones may be used with the DAX exchange. Each telephone connected to the DAX control will have 'privacy of speech' due to the line isolation. To achieve full isolation, each telephone station must be individually and directly cabled to the DAX control. However, the system is able to operate in partial isolation mode commonly referred as 'zone isolation' for more economic cable installation.

The standard model 801 telephones can be used for economy but the model BS-LX is highly recommended due to its added functions.